



IKOtile Gallo

IKOtile

metal roofing systems

Giving your home the villa look it deserves.

The IKOtile Gallo profile gives with its soft, mediterranean curves an stylish, upper-class look to your home, with the additional benefits of steel roofing. Because of the downturned front and the upturned rear edges, the panels have a strong overlapping and interlocking tile covering, which provides an excellent durability, protection and resistance to wind lift or other extreme weather conditions.

IKOtile Gallo is an eight tile, stone-coated panel pressed from a high grade of coated steel and is available in a wide selection of colours to enhance any exterior colour scheme.

PRODUCT
QUALITY
100%
GUARANTEED

Weatherproof
guarantee
of a
lifetime



IKOtile Gallo

Pressed from lightweight steel with high grade protective coating for incredible strength and resistance. Suitable for all roof shapes.



Specifications

Minimum pitch	10°
Maximum pitch	90°
Size of tile - overall*	1315 x 418 mm
Size of tile - cover*	1185 x 370 mm
Gauge of steel**	0,45 mm ²
Linear cover width*	1185 mm
Coverage*	0,438 m ² (2,28 tiles per m ²)
Weight per m ² *	6,84 kg
Weight per tile*	3,00 kg

* The measurements and the weight may vary slightly by the finish that is added to the panel.
** Steel thickness according to the EN 10346.

Standard colours

A nice range of colours are available to help you express your individuality.



IKOtile offers also other special colours to modify the looks of your roof even more to your taste. Ask your dealer for more information about the non-standard colours.

Properties



Fire proof

Conform with the European standards



Strong

Exceptional strength and resistant to damage



Stable

Resistance to extreme wind or earthquakes



Durable

Color stability and protects against UV light

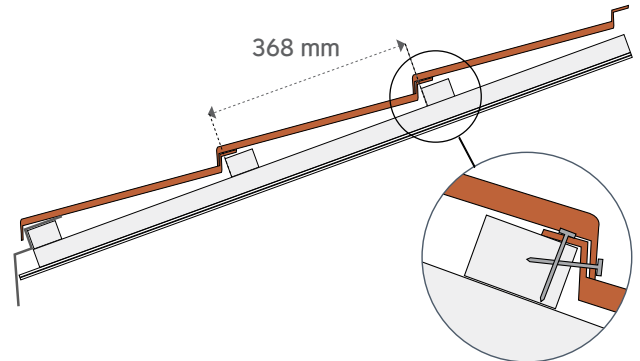


Lightweight

Light and easy to handle and install

Installation of the tiles

The roof panels can be interlocked either right over left or left over right with the side laps of one small corrugation.



The panels are placed onto battens spacing 368 mm.

The downturned front edge and the upturned rear edge of each tile provides a strong, weatherproof, overlapping and interlocking roof covering. Each tile is secured into the top of the batten by 4 nails or screws in the upturned rear edge. The tile is also secured to the next tile by 4 nails or screws in the front-downturned edge, positioned out of the water course.

Each panel or accessory can be cut or bent in the shape of the roof. It is important to use tools recommended by IKOtile.

Accessories

IKOtile offers a broad choice of accessories that fully integrate with this profile.

- **Ridges, junctions and end caps.**
For use on ridges and hips in angle, square, rounded shape.
- **Barges, flashings and finishings.**
For roof covering at foot, gables, verges, barges, against walls.
- **Other accessories.**
Like ventilation systems, roof windows, light tubes, integrated solar panels, clear tiles,...
- **Installation equipment.**
Everything you need for installation: nails, benders, guillotines,...

For a complete and detailed list of accessories and more information regarding the installation of a IKOtile roof, contact your dealer.